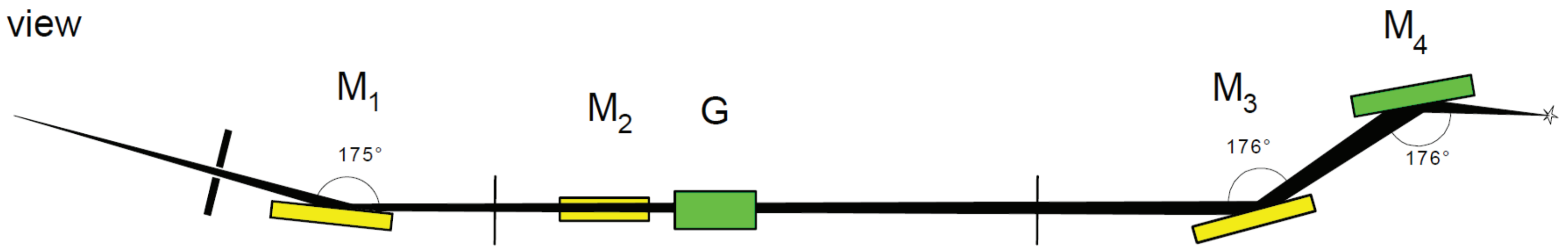
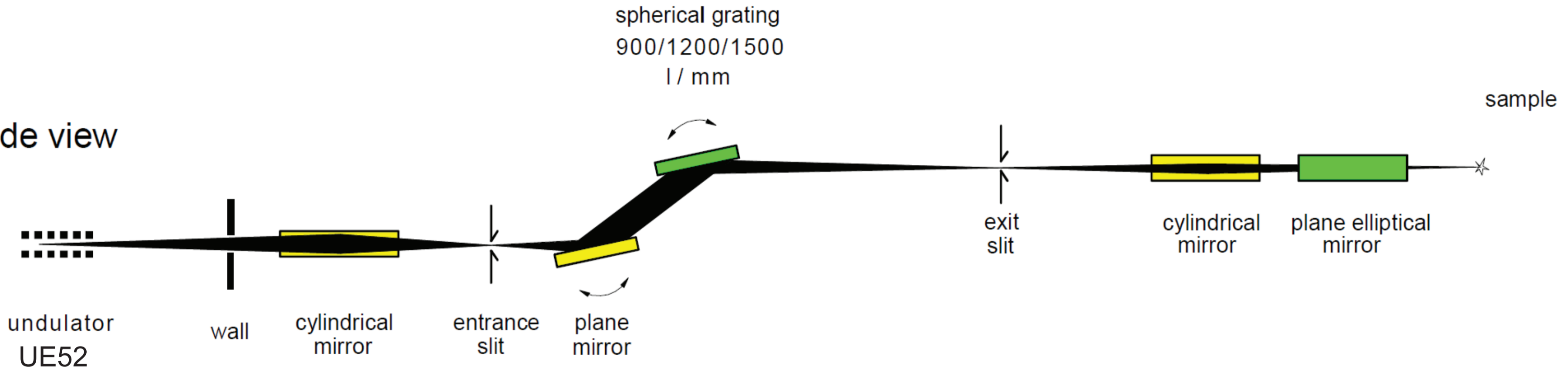


OPTICAL LAY-OUT (schematic)

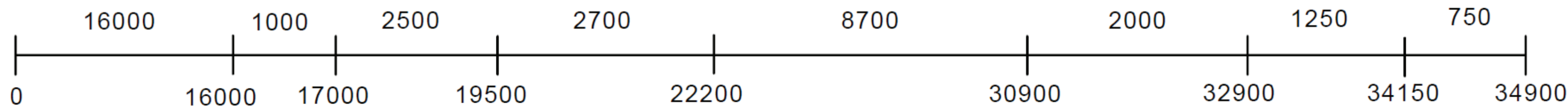
top view



side view



distance between elements [mm]



distance to source point [mm]